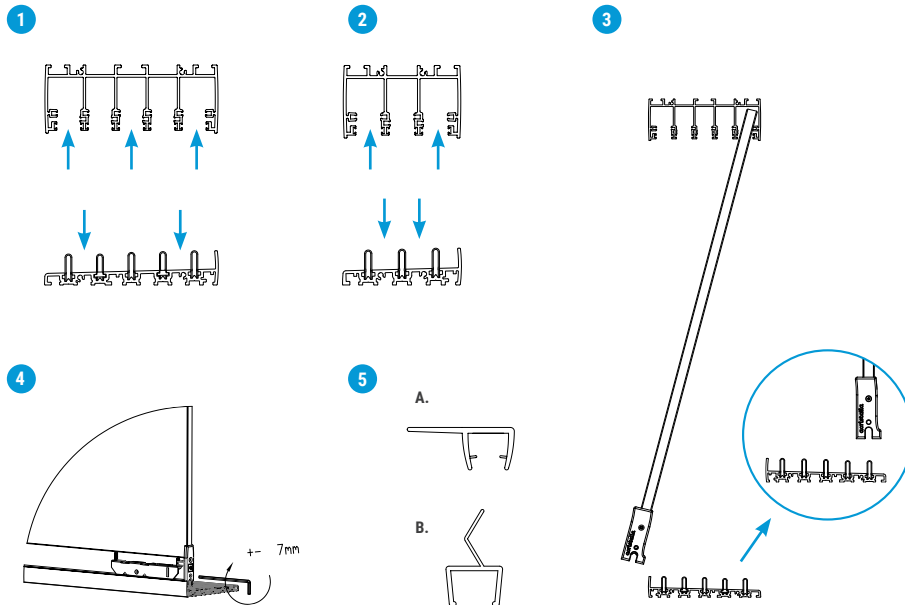


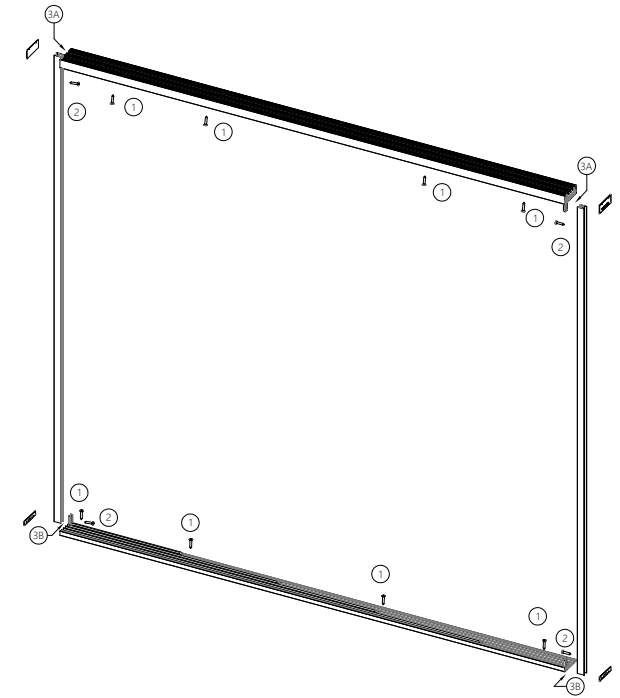
ASSEMBLY INSTRUCTIONS

SLIDING CURTAIN - TANDEM SERIES



LEGEND

- 1. Fastening screws to top and bottom guides (countersunk flat head screws 5.5 x 25).
- 2. Fastening screws to sideframe anchor (4.2 x 13).
- 5A. Top sideframe anchor.
- 5B. Bottom sideframe anchor.



STEP 1 - GUIDES FASTENING

Identify the bottom guide and the top guide of the sliding curtain. After having leveled and plumbed them, place them in the desired position.

Once guide profiles are leveled these need to be drilled with 6 mm bit in desired position for its attachment. It is recommended to fix them on rails indicated in figure 1 at a distance of 530 mm from the ends and 1200 mm between holes. Subsequently fix them with countersunk screws 5,5 x 25 mm.

** It is very important to level the top guide and the bottom guide for the good functioning of the sliding curtain.*

STEP 2 - SIDEFAME FASTENING

Once the guides are fixed, identify the sideframe profiles (optional) and place them on the corresponding top and bottom guide anchor. Before fixing the profiles, mark the desired length of the sideframe profile and cut it on the indicated zone. Finally, fix the profiles to each anchor, with flat head screws 4.2 x 13, by realizing first a 4 mm drill on the sideframe and then one of 3.5 mm on the anchors.

** It is necessary to cut the sideframe profile on the right end (the right position will be indicated on the profile).*

STEP 3 - PANELS INTRODUCTION IN THE FRAME

Introduce the panels starting with the superior part of the glass and then place the inferior part of the panel onto the stainless steel rail. Firstly (inside view), introduce the exterior panel and then add the other panels up to the interior panel.

STEP 4 - BEARINGS REGULATION

Once introduced the panels in the structure, it will be possible to regulate each one up to 7 mm in height with an Allen key 4 as indicated on figure 4.

STEP 5 - SEALS PLACEMENT

A. Transparent seals will be placed at each crossing point of the panels.

B. If the structure does not include sideframes, a Z-seal will be placed at both ends of the sliding curtain (the inferior part of the Z-seal has to be fixed at the panel ending cap with adhesive).

STEP 6 - LOCKS PLACEMENT (In case of locking systems installation)

Once the panels are properly placed, add the plate of the strike at the required height (position where the sideframe is machined for the strike).

** Warning: the orientation of the strike depends on how is placed the door lock on the panel.*