

# dossier

technical  
and commercial

## Ascendo series

adjustable **windbreaker**

## Fixendo series

adjustable **windbreaker**

## acristalia



**dossier**  
technical and commercial



where you want to be

# Index

- p. 04 Discover **the Ascendo series**  
Introduction **to the basics**  
How the **windbreaker works**
- p. 06 Following **the rules**  
Tests **and certificates**
- p. 08 Mounting **options**  
Maximum dimensions  
**and available configurations**  
Maximum dimensions  
**and available configurations**
- p. 14 Technical **features**  
Integrated **solutions**
- p. 17 **Fixendo series**  
Fixed **windbreaker**

# Discover the Ascendo Series

## Introduction to the basics

Our retractable windbreaker Ascendo series stands out for its simplicity, which, although it may seem contradictory, turns out to be precisely its greatest quality. No metal profiles in the extendable glass, panoramic vision and protection are assured.

The movable drive elements of the extendable panel are invisible, as we have expressly designed it to be concealed in the structure, therefore confirming the premise of complying with a minimalist, user-friendly and

practical design. Another feature of our retractable windbreaker is the possibility of holding the sliding glass at the desired height between the “open” and “closed” positions.

The Ascendo series is delivered ready for installation, although different configurations are available in terms of size and installation, highlighting its flexibility in adapting to different spaces.



The system offers a wide variety of possibilities of finishes and colour combinations in the profiles, adapting to any style or corporate image.



Perfect solution for integration in both facades and interiors, being suitable for refurbishment projects and new construction projects.



This capacity for adaptation and implementation is enhanced with the possibility of printing the glass in the factory, thanks to our digital vitrified printing system.



Extendable sliding glass panels without vertical profiles provide continuous, transparent surfaces with all the operating components concealed.

## How the windbreaker works

As we have already mentioned, the Ascendo series could not be simpler: no motors, no controls, no effort, but with full reliability.

### a. Lifting the movable glass / extending the windbreaker

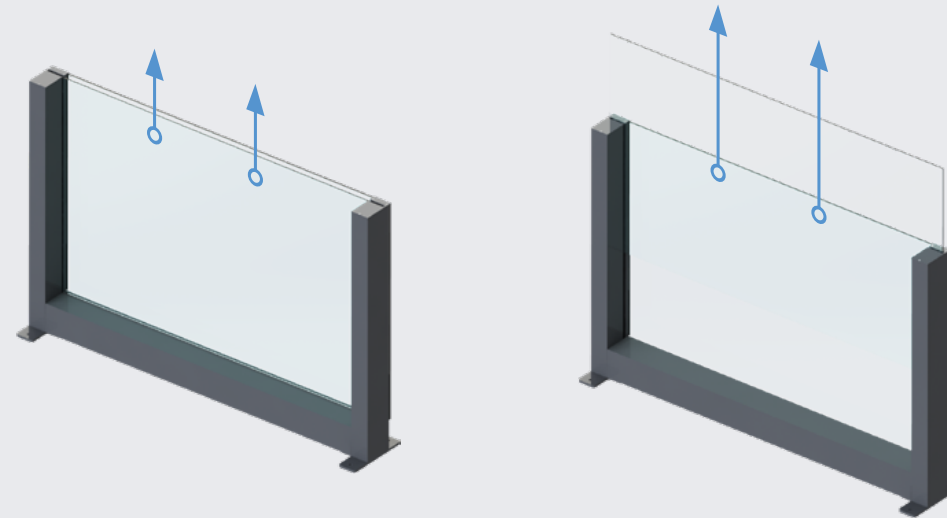
Place both hands on the upper edge of the movable glass (inner sheet of glass) and pull it upwards. The glass can be raised to its maximum height or leave it at any point along its travel, while maintaining the glass in its position. It is important that the glass is lifted calmly to avoid damaging impacts at the end of its movement.

### b. Lowering the movable glass / closing the windbreaker

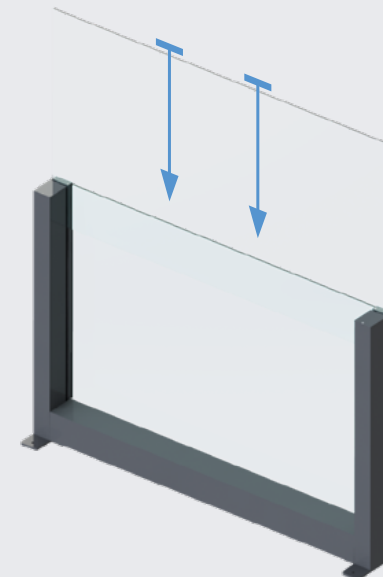
Place your hands back on the extended glass edge and apply downward at any point on the glass. The movable glass may be left at any point along its path, while maintaining its position.

In this operation, it is also important that the glass is lowered calmly, in order to avoid any sudden impacts at the end of its travel.

**a** Pull the movable glass upwards



**b** Push the movable glass downwards



## Following the rules

### Ensayos y certificados

In this section, you will find information about the quality certificates for for Acristalia glass windscreens, as well as the results of the tests and trials carried out on this product.

On the one hand, we refer to all the materials used and its quality controls.

On the other hand, we mention the classification of the glass we use and the standards to which Acristalia complies with..

#### Acristalia, a brand of quality.

Acristalia manufactures all its products under strict quality controls regularised and specified in the quality management system in compliance with the UNEEN ISO 9001:2015 standard and guarantees that all the materials used for the manufacture of its products are of the highest quality in compliance with the following standards:

Aluminium with **CE** marking according to the new European regulation of construction products (EU) 305/2011 and the harmonised standard UNE-EN-15088:2006: aluminium and aluminium alloy products for structural applications.

**In addition, it complies with quality standards for the surface treatment of the profiles (Qualicoat, Qualanod, Qualideco):** Guaranteed finishes, lacquering and anodising as stipulated by the European quality mark European Qualicoat, Qualanod, Qualideco, approved by

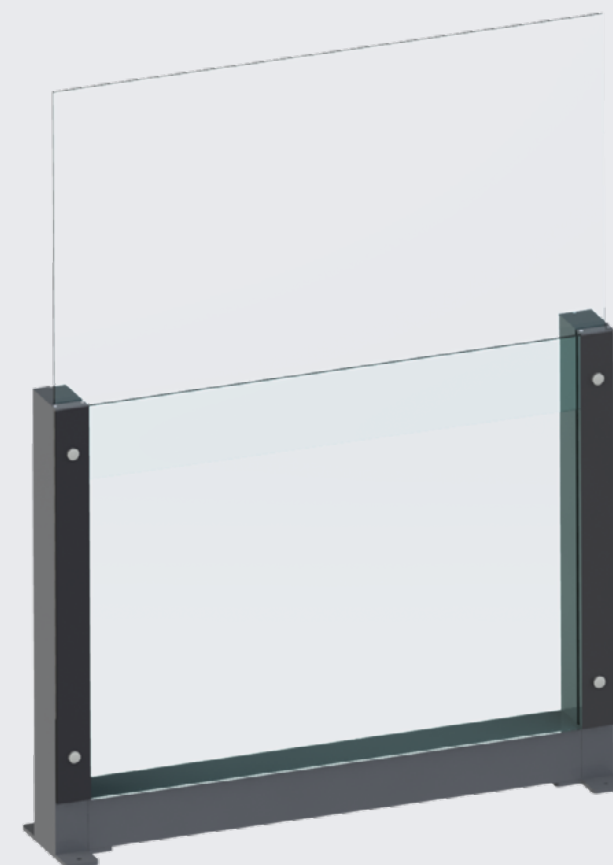
the Ministry of Public Works for surface treatment of dust. surface treatments. Such treatments ensure a uniform ageing of the colours with the absence of patches and occasional discolouration.

#### Tests performed according to standards: UNE 85238:91, UNE-EN 1932:2014, UNE-EN 13561:2015.

Dividing element with extensible movable panel with minimum dimensions of 2000x1200 mm and maximum of 2000x1900 mm, with 5+5" tempered glass in the fixed part and 5+5" and 6 mm glass in the movable part.

#### Test results:

- Safety test:  
Classification - 1.6KN/m - COMPLIANT.
- Soft-body dynamic impact test:  
Classification - Soft body impact - 600 J - COMPLIANT.
- Wind Resistance Test:  
Classification - CLASS 6 -  $480 \text{ N/m}^2 = 101.61 \text{ Km/h}$ .





## Certificates

Our products are subjected to strict controls, tests and trials.

**Acristalia is synonymous with security and reliability.**

You can find the documentation you need at [www.acristalia.com](http://www.acristalia.com)

**We do inform you... knowing is winning!**



For further information on these trials, please visit the 'Documentation' section at [acristalia.com](http://acristalia.com).

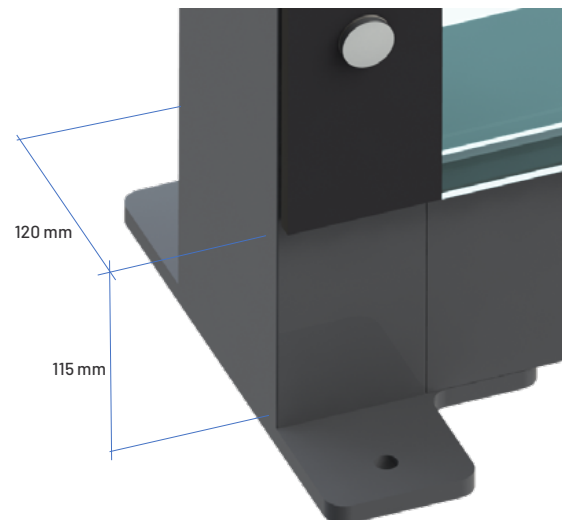
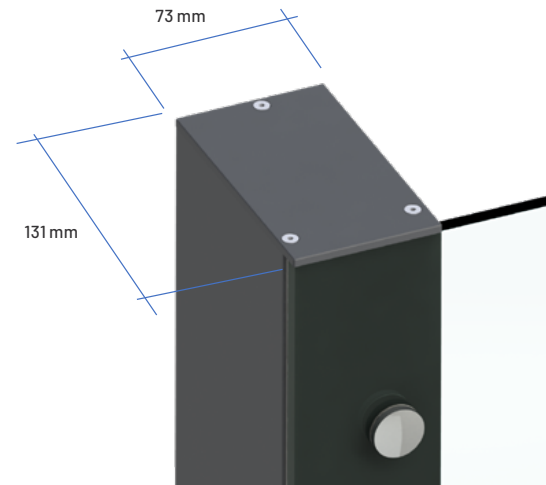
## Mounting possibilities

### Maximum dimensions and available configurations

Under this heading, we describe the wide and flexible range of possibilities for our Ascendo extendable windbreak system.

We also include in this section the option of a fixed windshield, which includes two models with only one aesthetic difference in the glass.

Post and box measurements



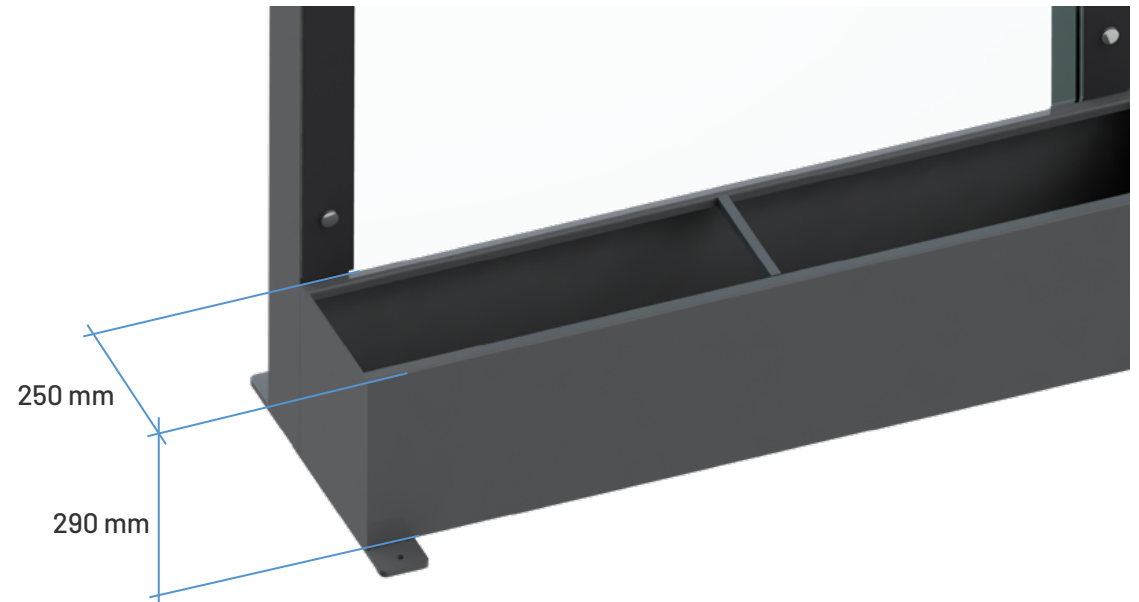


### Planter dimensions

As a additional option, we offer this practical planter, which visually fits with the chosen appearance.

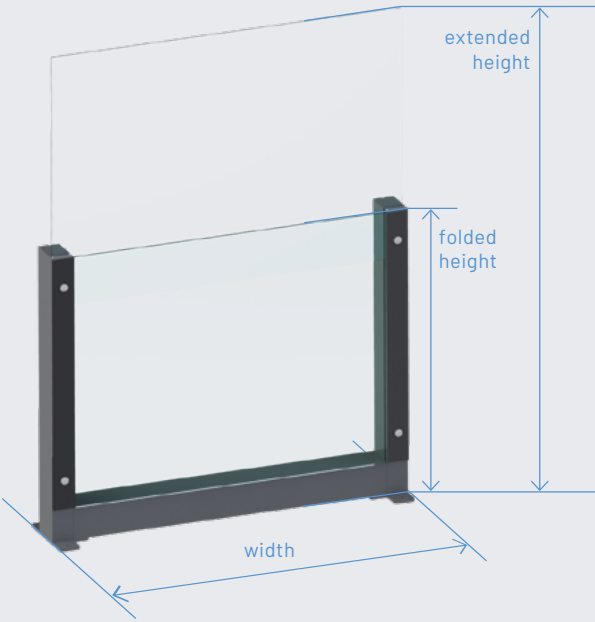
Both the depth and height measurements are predefined, being the width the only measure that changes. It must be the same that the selected for the windbreak.

Planter height	Planter depth	Planter width
290 mm	250 mm	depending on the size of the windbreaker



## Windbreaker dimensions

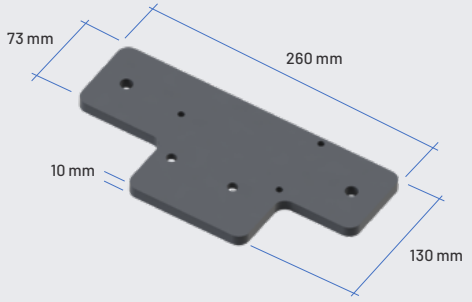
### a. Windbreaker with base fixed to the ground



Heights	
FOLDED HEIGHT	EXTENDED HEIGHT
1000	1700
1100	1800
1200	1900

Width is variable	
MINIMUM WIDTH	MAXIMUM WIDTH
1000	2000
1000	2000
1000	2000

**Dimensions of the ground anchor base**



b. Wheeled windbreaker

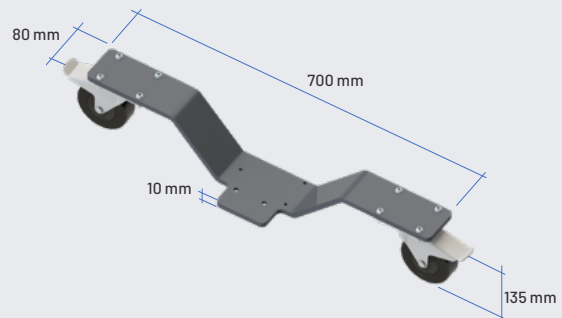


The diagram shows a wheeled windbreaker with a glass panel. Two height dimensions are indicated: 'folded height' for the lower section and 'extended height' for the full height. A 'width' dimension is shown at the base.

Heights	
FOLDED HEIGHT	EXTENDED HEIGHT
1000	1700
1100	1800
1200	1900

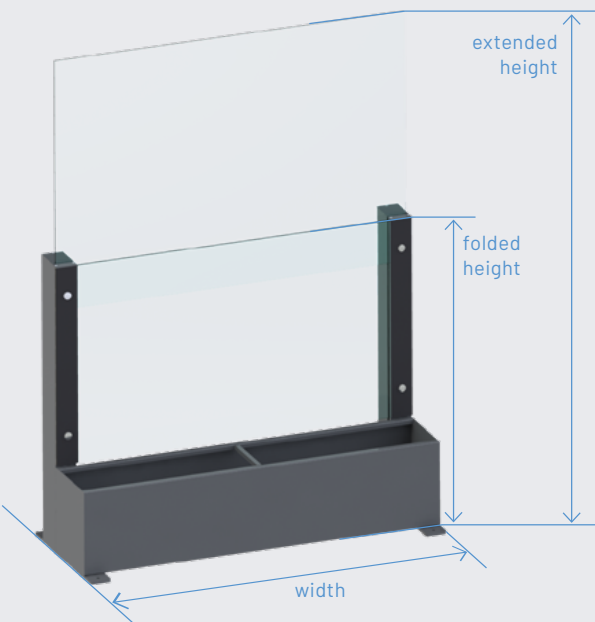
Width is variable	
MINIMUM WIDTH	MAXIMUM WIDTH
1000	2000
1000	2000
1000	2000

**Dimensions of the base with wheels**



The diagram shows the base of the windbreaker with two wheels. Dimensions are provided for the base plate: 80 mm width, 700 mm length, 10 mm thickness, and 135 mm wheel diameter.

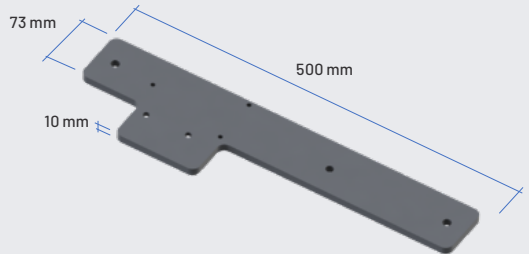
c. Windbreaker with base fixed to the ground and planters



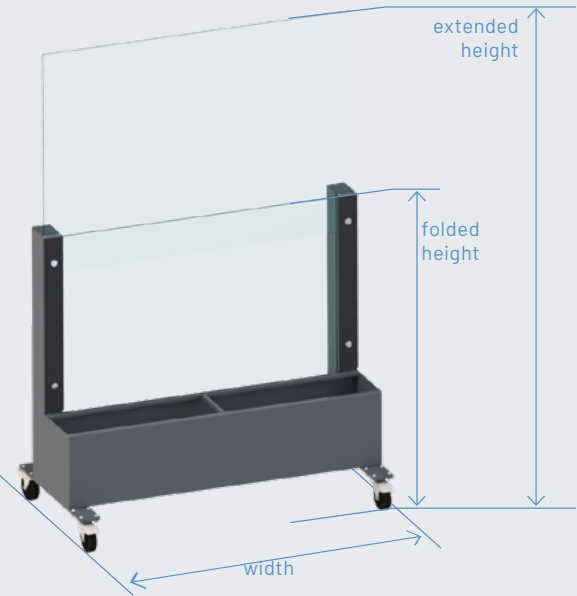
HEIGHTS	
FOLDED HEIGHT	EXTENDED HEIGHT
1000	1700
1100	1800
1200	1900

Width is variable	
MINIMUM WIDTH	MAXIMUM WIDTH
1000	2000
1000	2000
1000	2000

Dimensions of the fixed base for planter



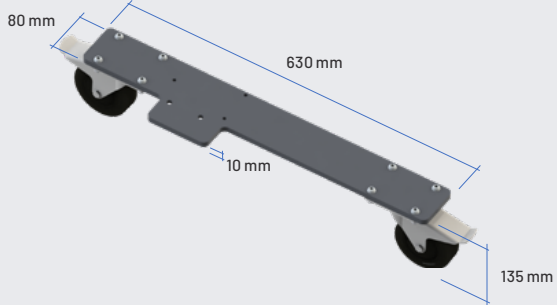
d. Windbreaker with planter and wheels



Heights	
FOLDED HEIGHT	EXTENDED HEIGHT
1000	1600
1100	1800
1200	1900

Width is variable	
MINIMUM WIDTH	MAXIMUM WIDTH
1000	2000
1000	2000
1000	2000

**Measurements of the base with wheels for planters**



dossier

technical and commercial

# Technical specifications

## Integrated solutions

Below, we highlight the technical details that allow **the functional and aesthetics of this system to adapt to the needs of the market.**

### Technical specifications

#### Glass

The fixed glass is mechanically fixed to the profiles.

The movable glass has an anchoring system that is hidden inside the profiles.

Fixed part configuration (two possible options):

- 8 mm tempered safety glass.
- 5+5 mm laminated tempered safety glass.

Extendable part configuration:

- 6 mm tempered safety glass.

#### Profiles

6063-T5 aluminium alloy profiles.

Sills anchored to the floor with 11 mm hole for fixing.

Finishes:

- Acristalia White (equivalent to 9016 matt)
- RAL
- Wooden Imitation
- Anodized (on request)
- Others (on request)

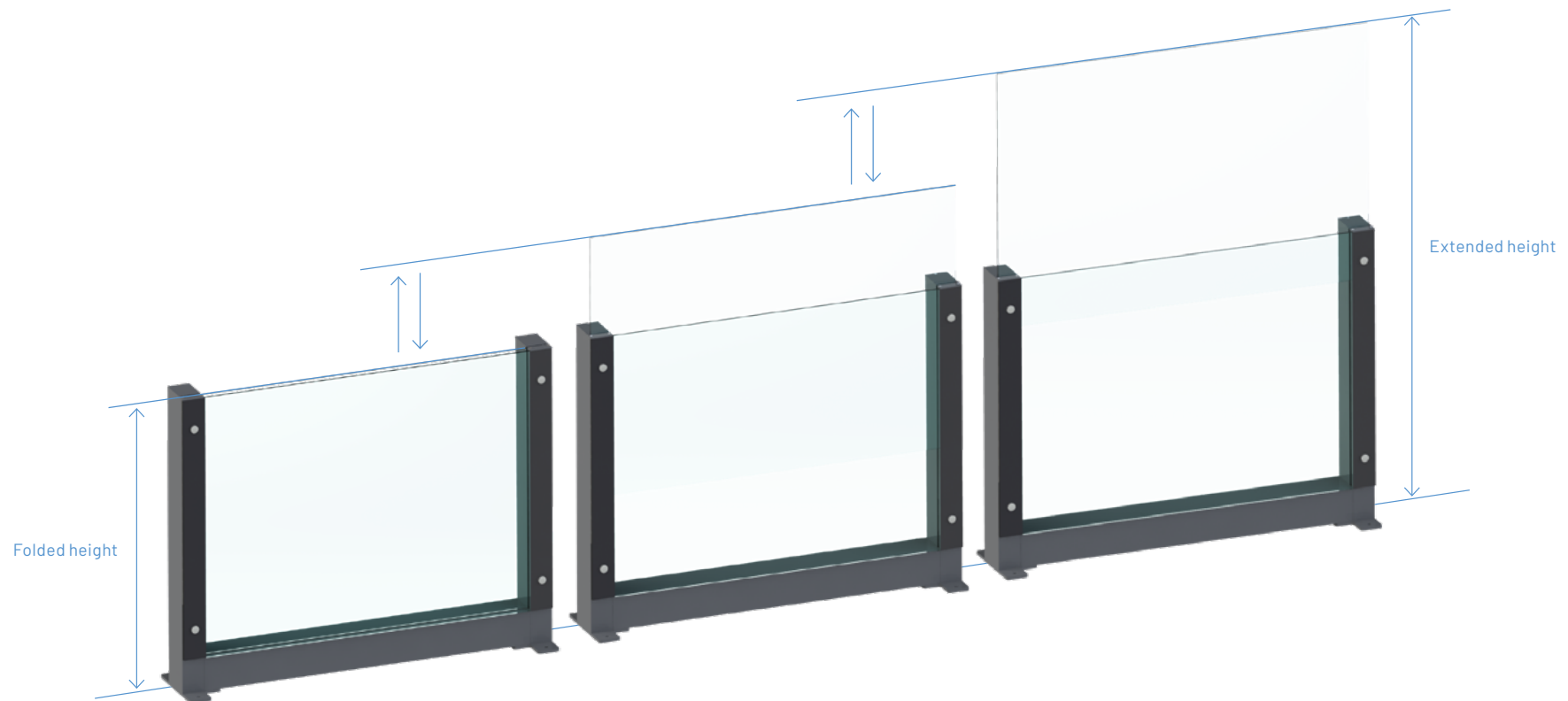
### Other features to be noted:

- The movable part does not have any kind of profiles that interfere with the vision.
- It does not require any special maintenance.
- The transmission system allows the glass to be moved from any point of the glass, centre or end, without affecting its operation.
- The possibility of unevenness of the floor will not affect the operation.

## Adjustable to the required height.

### Adjustable height

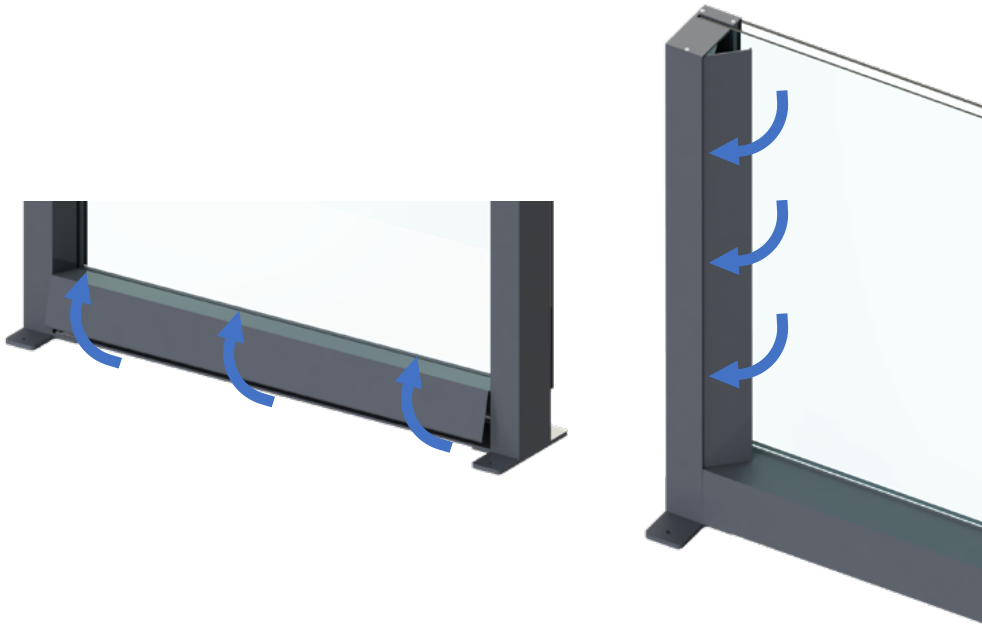
The lifting system allows the glass to be held throughout **its entire movement at the desired height**, from the minimum to the maximum height.



## Adaptable system to the required need

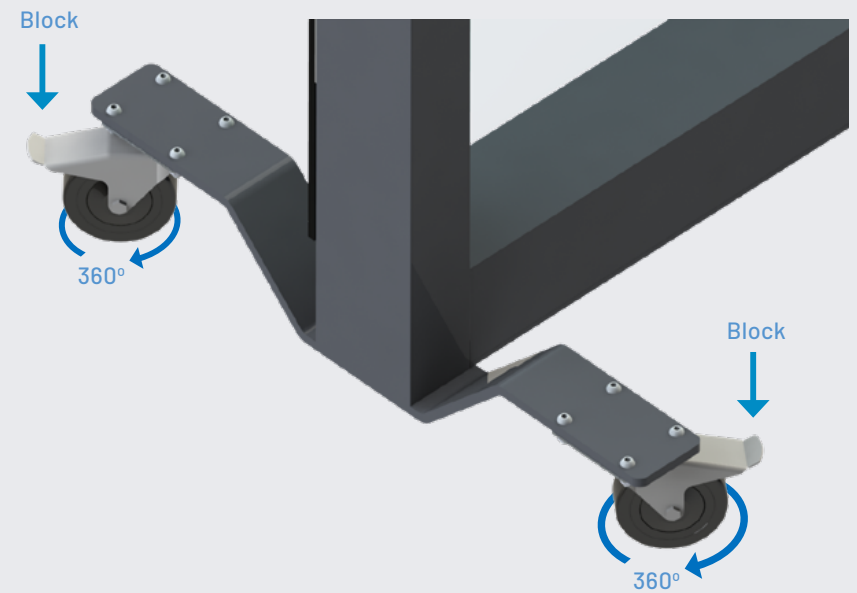
### Accessible vertical profiles and drawer.

In order to facilitate work in the event of having to access to the inside of the windshield mechanism, we have designed the profiles to be easily accessible.



### Wheeled system

To facilitate the movement of the wheel-mounted windbreaker, the wheels rotate 360°. In addition, they incorporate the foot-operated locking pedal for braking and position the system where it is needed.



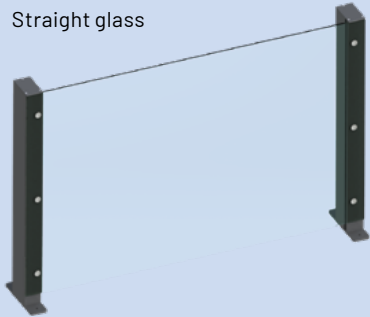


# Fixendo series

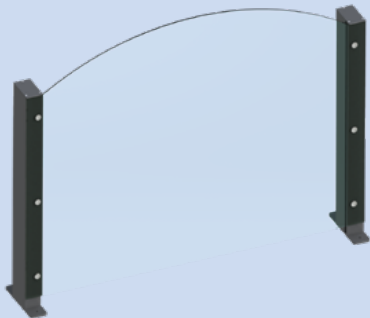
## Fixed windbreaker

After presenting the specifications of the Ascendo extendable windbreaker, we now introduce the version without an extending panel. There are two options available (with straight glass or curved glass) together with its possible configurations to adapt to the required needs.

Straight glass

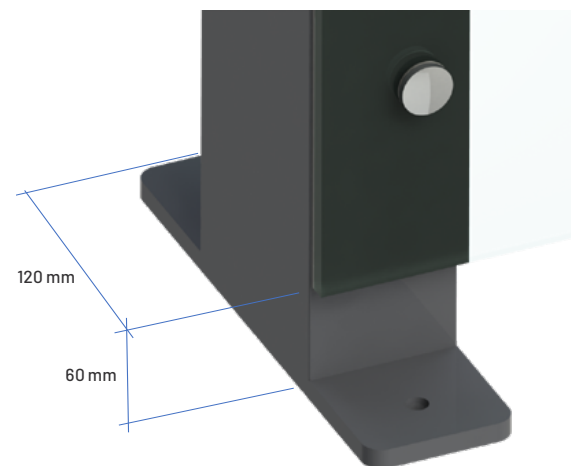
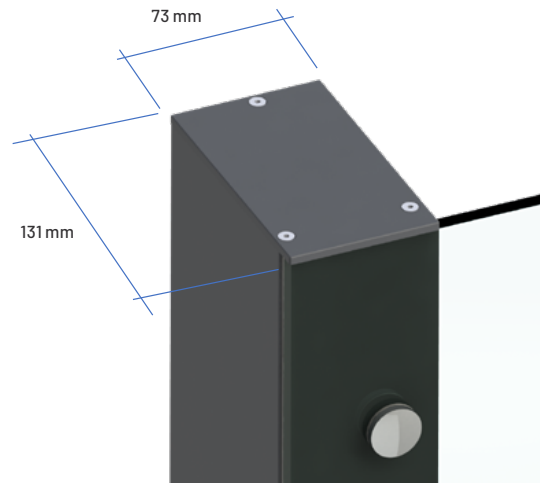


Half-round arched glass



### Measurements

#### a. Post



### Especificaciones técnicas

#### Glass

The glass is mechanically fixed to the profiles.

Configurations:

- 8 mm tempered safety glass.
- 5+5 mm laminated tempered safety glass (use as a railing).

Options:

- Straight glass
- Half-round arched glass

#### Profiles

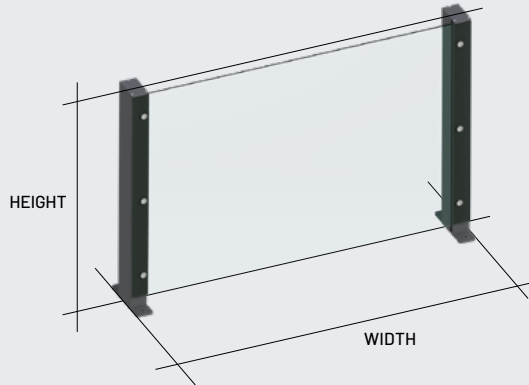
6063-T5 aluminium alloy profiles

Sills anchored to the floor with 11 mm hole for fixing.

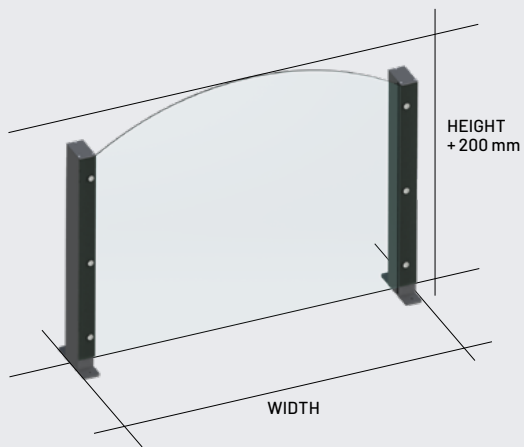
Finishes:

- Acristalia white (9016 M)
- RAL
- Wood imitation
- Others (consult)

Maximum height	Maximum width
Up to 1600 mm	Up to 2000 mm

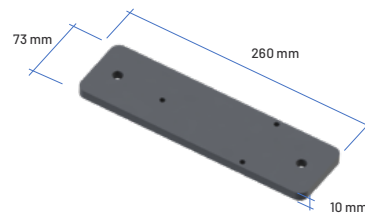
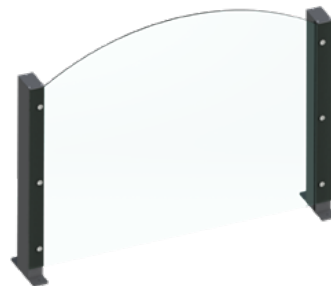
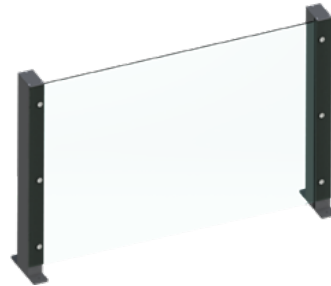


In the specific case of a windbreak with arched glass, the 200 mm of the protruding curve shall be added to the total height calculation.

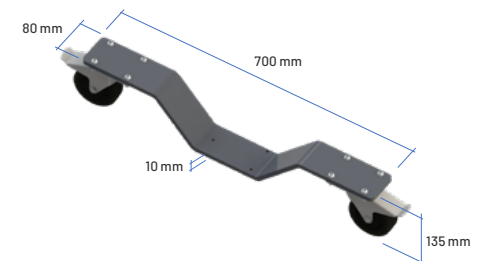
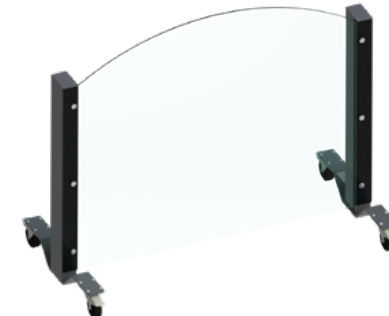


### Set-up options

#### a. With the base fixed to the ground

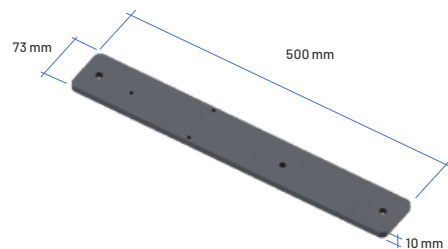


#### b. Base with wheels

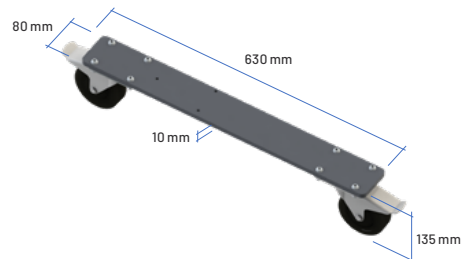


## Set-up options

a. With base fixed to the ground and planter



d. Base with planter and wheels





Now  
it's **your**  
turn...

Tell us  
about **your**  
project!

[acristalia.com](http://acristalia.com)  
t. +34 952 198 752

