

Technical
and commercial
dossier

Basic Pro Series

Frameless
slide&turn
system

acristalia



technical and commercial
dossier



where you want to be

Table of contents

- p. 4 Discover the **Basic Pro series**
Introduction **to the basics**
How the slide&turn **system work**
- p. 6 Following **the rules**
Tests and **certifications**
- p. 7 Configuration **options**
Panels design
Types **of panels**
- p. 8 **Stacking** area
Easy **and tidy**
- p. 11 **Technical** features
Integrated **solutions**
- p. 14 System **Components**
Piece by piece
- p. 15 Dimensioned **profiles**
Locking **mechanisms**
- p. 16 Complements **and accessories**
Locking mechanisms

Discover the Basic Pro series

Introduction to the basics

When we refer to the frameless glazing Basic Pro Series we are talking about quality components, functionality and certified efficiency.

For this reason, the professionals choose us as the best option among the existing offer.

But the main advantage is the wide range of configuration options, being capable of fully adapting to any kind of space (from square-shaped to polygonal, L-shaped or other irregular spaces).

It is possible to install enclosures at different heights, with different angles, sizes, glazing and profile finishes.

As a result, we obtain:

- an excellent panoramic view;
- optimal use of natural light;
- contribution to energy saving;
- added value to hospitality spaces;
- avant-garde design and style;
- the habitability of the space wherever they are installed.



The system has a wide range of possibilities in terms of **finishes** and **colour** combinations of the profiles, adapting to any preference or corporate image.



Perfect solution for integration in both **facades and interiors**, being suitable for both **refurbishment** and **new construction projects**.



Such adaptability and implementation is enhanced with the possibility of **printing the glass sheets** in the factory, thanks to our **digital vitrified printing system**.



Sliding glass panels without vertical profiles provide **seamless and transparent surfaces** with all the functional components concealed.

Performance of the system

a. Structural reliability

The top and bottom panel profiles ensure a consistent stability. The glazing has mechanical fixation in the upper panel profile to prevent the glass from detaching from the profile.

b. Minimal visual impact

Functional components are discreetly hidden inside the profile. The system has no vertical profiles between the panels, guaranteeing a uniform glass surface throughout the opening without visual impediments.

c. Easy adjustment

Transparent vertical sealing strips that are easy to fit after installation of the system and can be just as easily removed to accommodate the room temperature or for optimal cleaning.

d. Insulation

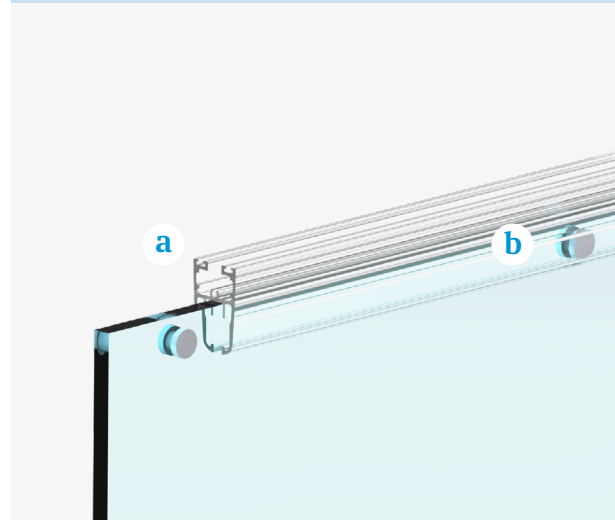
Double sealing laminated mat both at the top and bottom guide where they meet with the respective panel profiles to minimise air and water flow. The tongue and groove caps seal the joints between the panel profiles.

e. Bespoke design

Extremely versatile system where any panel can be converted into an opening, creating a new parking area to collect the sliding leaves.

f. Smooth sliding

The Standard series panels carry their weight on the top guide, guaranteeing an easy and smooth sliding of its panels along the upper guide.



Following the rules

Tests and certifications

When you have the best tests and trials to certify the quality of your products you can have the confidence and trust in what you are offering.

The Basic Pro Series have been subjected to the strictest safety and quality controls. In addition, Acristalia's enclosure systems are accredited by European standards. In order to offer the best guarantee for the product it has also been subjected to tests and trials to check its air tightness, and resistance.

Furthermore, it also has an adhesive certificate of mechanical resistance to traction, applied to the profiles of each panel in every enclosure.

This is in relation to the product itself, but Acristalia has worked tirelessly so that each material it uses in its systems and each treatment process, both the glass and the aluminum profiles, comply with the strictest quality controls.

In the following, you will find an overview of the different tests to which the Basic Pro Series have been subjected to.

Acristalia, a quality brand.

Acristalia manufactures all its products under strict quality controls regularised and specified in the quality management system in accordance with the UNEEN ISO 9001:2015 standard and guarantees that all the materials used in the manufacture of its products are of the highest quality, complying with the following regulations: Aluminium CE-marked in accordance with the new European regulation of building products (EU) 305/2011 and the harmonised standard UNE-EN 15088:2006: aluminium and aluminium alloy products for structural applications. In addition, it complies with quality standards for the surface treatment of profiles (Qualicoat, Qualanod and Qualideco).

Tempered glass classification

All our glass is CE marked in accordance with the UNE-EN 12150-1:2016 standard, obtaining the maximum resistance classification ICI according to the UNEEN standard 12600:2003.





Certifications

Our products are subjected to strict controls, tests, and trials. **We work to ensure that Acristalia's products are synonymous with safety and reliability.**

For further information on these trials, please visit the 'Documentation' section at acristalia.com.

We do tell you, to know is to win!



Air tightness and wind load resistance ACCORDING TO UNE-EN 1932:2014 AND UNE-EN 1026:2017

Frameless slide&turn system with two panels, one of them sliding, with overall dimensions 3000 x 1235 (height x width), with glass thickness of 8 mm.

Test results:

- Wind load resistance Class C3
Class C = Relative deflections smaller than 1/300
Class 3 = Shock-protection 1800 Pa
- Air tightness Class 1

Acristalia adhesive certification according to ETAG 002.

The results obtained have been excellent both at room temperature and in extreme conditions of -20 °C and +80 °C, reaching almost 5 times the value required by Acristalia glazing systems type.

Test results:

Glass - adhesive - U profile

- Standard specimens (23 °C / 50%RH).
Average value: 1.62 kN.
- Conditioned specimens (24h at -20°C)
Mean value: 1.22 kN.
- Conditioned specimens (24h at +80°C)
Average value: 1.22 kN.

For more information about these trials, please go to the 'Documentation' section at our www.acristalia.com website.

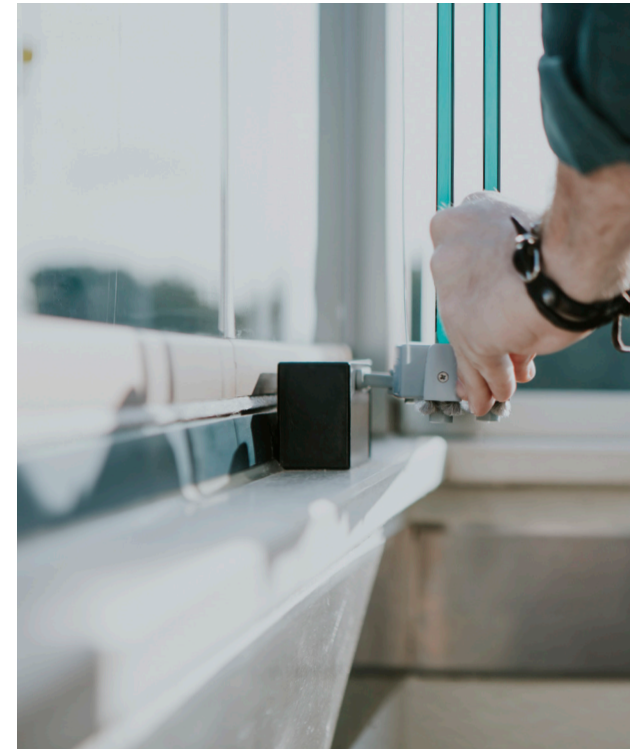
Configuration options

Thanks to their great adaptability to any type of structure, our frameless glazing systems prove themselves to be among the most versatile on the market.

We recommend using our Basic Pro Series as a reliable option for any enclosure project that requires complex installations, such as, for example, in those that draw polygonal figures or at different heights.



- **The opening direction of the panels is adjustable.** Either interior or exterior opening is allowed, depending on the requirements of the project.
- The Basic Pro Series feature an internal magnetic system for the stacking of the panels and also a discreet and easy-to-use snap lock with a retaining clip for the opening panel.
- Regardless of the type of structure and project, every sliding panel **moves horizontally smoothly and lightly.**





It is possible that the projected curtain panels may need to be installed in **sections of different configurations**.

We reviewed every difficulty and the challenges that professional installers may encounter concerning their projects and found the best possible solution for each situation with the aim to achieve the desired appearance and uniformity of the space as a whole.



As shown in the pictures below, it must be taken into account that in installations with panels sliding along an angle a minimum space that is invaded must be respected.

For installations with angles, please consult with our sales department to develop the ideal solution.



Panels

Easy and tidy

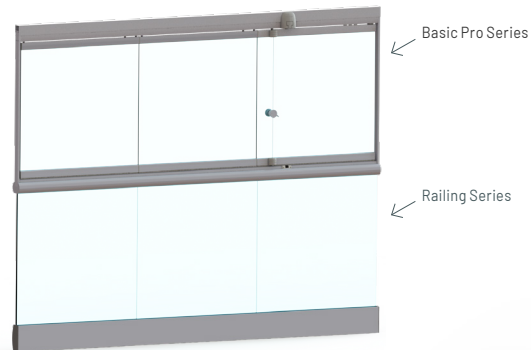
The Basic Pro Series can reach a maximum of 2000 mm in height and a width of up to 700 mm.

Regarding the types of glass used could be either tempered or laminated, with the option of translucent, opaque and solar control glass. Thicknesses availabilities of 6, 8 and 10 mm.

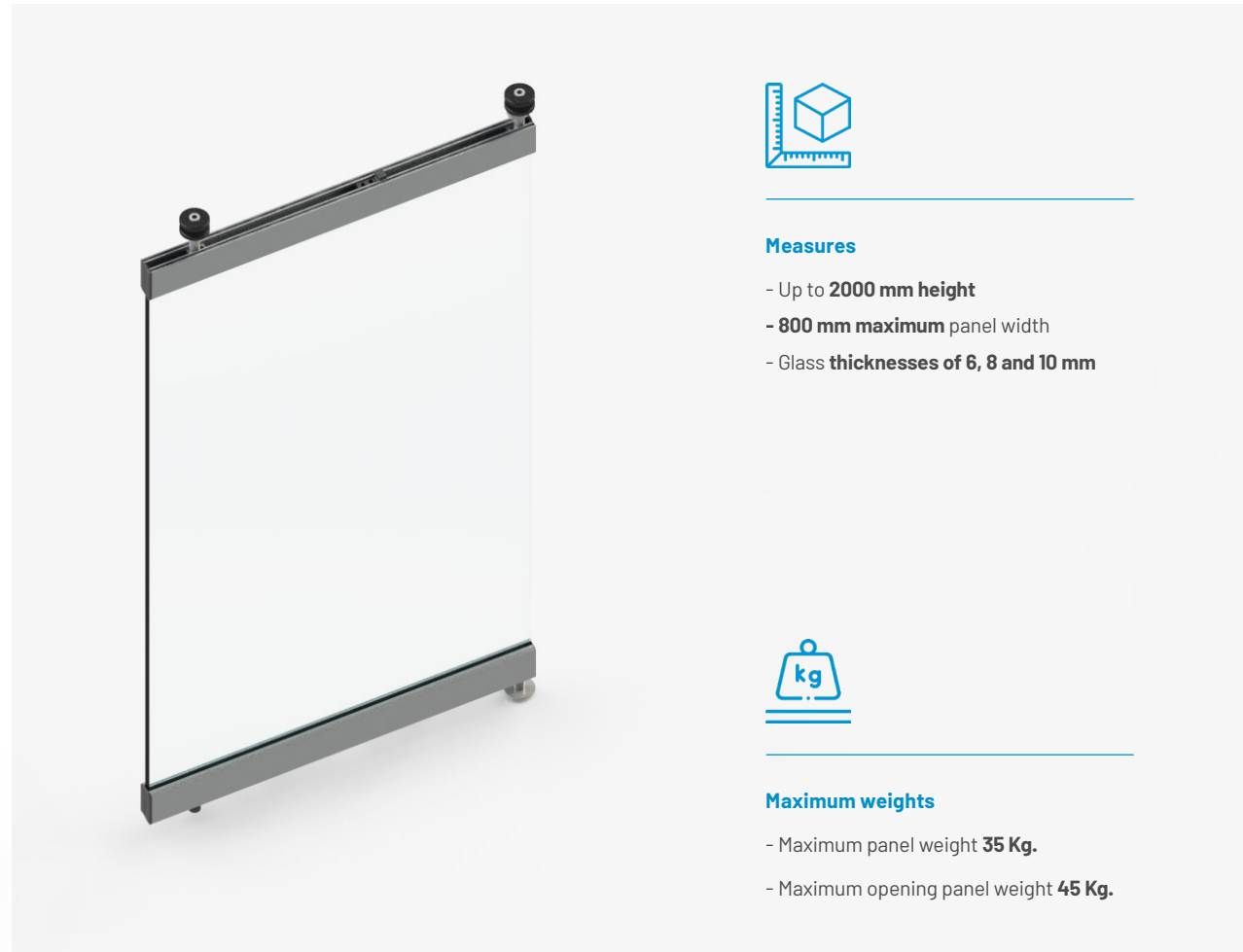
Thanks to its levelling profile, an unevenness of up to 20 mm can be corrected. In addition, the minimalist design of the profile creates a minimal visual impact.

Our Basic Pro series is also fully compatible with the Railing Series glass balustrade.

Combined, they provide safety, light and a full panoramic view.



Click on this link to find out the result of **one of our favourite combinations.**



Measures

- Up to **2000 mm height**
- **800 mm maximum** panel width
- Glass **thicknesses of 6, 8 and 10 mm**



Maximum weights

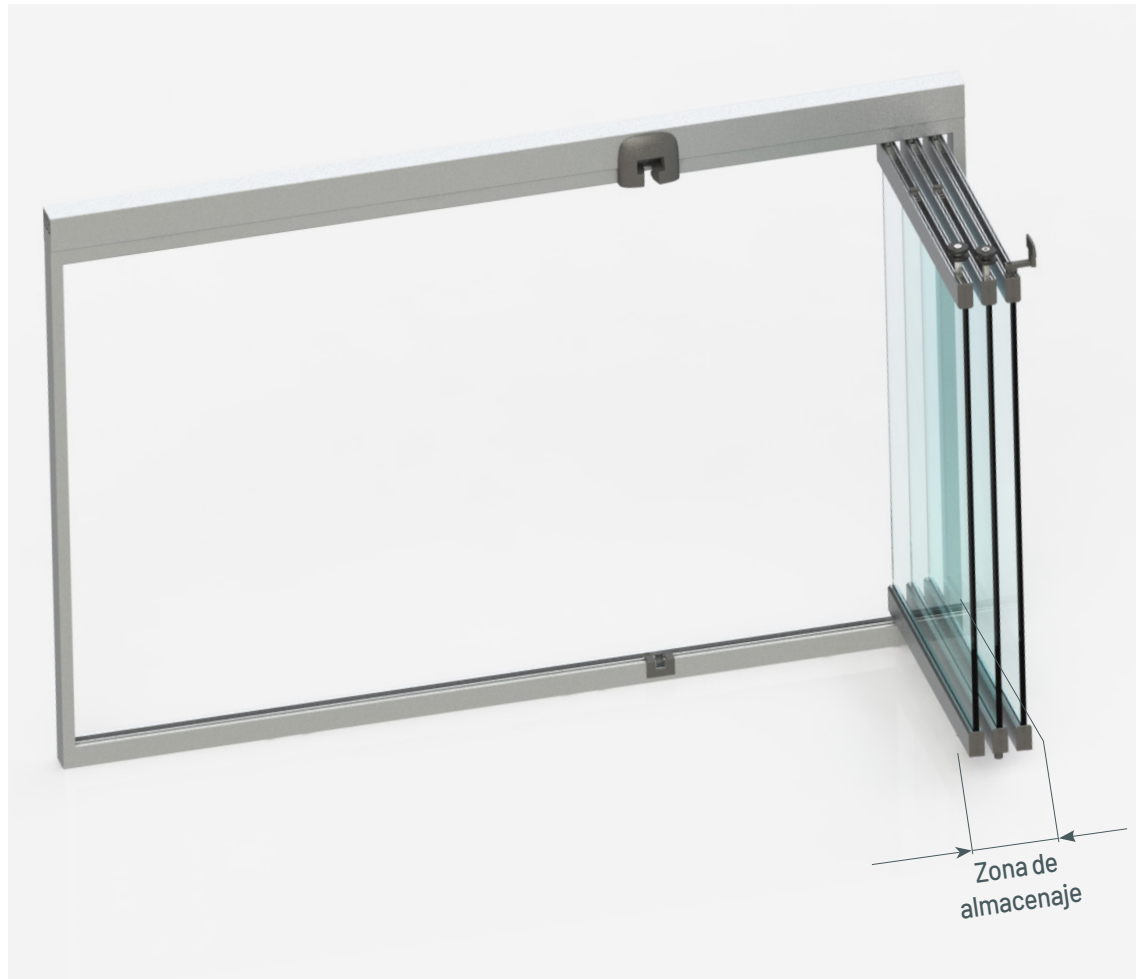
- Maximum panel weight **35 Kg.**
- Maximum opening panel weight **45 Kg.**

where you want to be

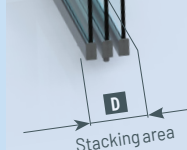


Magnetic system

Invisible solution for the panel stacking



With this calculation you find out how much space the **storage area will occupy**.



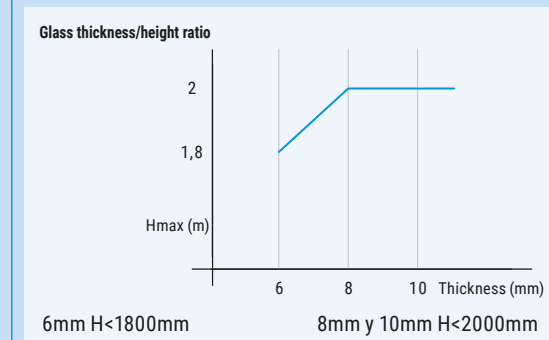
STACKING AREA:

$D = 28 * N + 17,5$

(where N = Amount of panels)



The following chart shows that the ratio of glass thickness to the maximum height of the system is directly proportional. In other words, the higher the system, the thicker the glass required.



Technical features

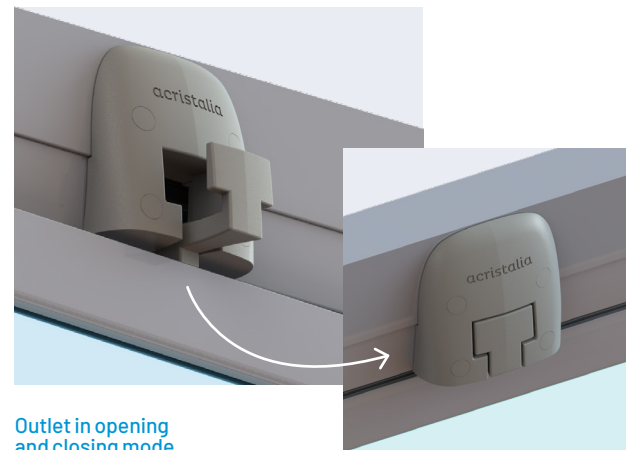
Integrated solutions

These are the main technical features of the system **designed to suit the needs of our customers**. Below, we show the most outstanding accessories that integrate the system.



Outlet system

Thanks to Acristalia engineers, once closed, **the outlet system is fully integrated** into the system **avoiding being an obstacle for blinds, shutters, and textile curtains**.



Outlet in opening
and closing mode.

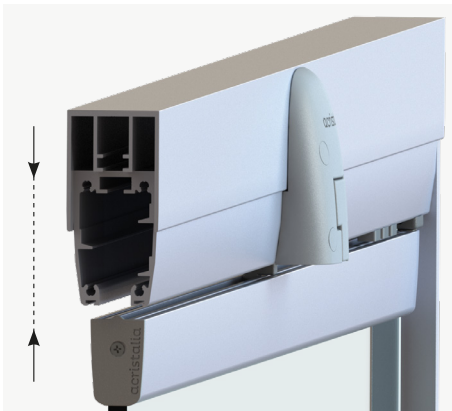
Tongue and groove panel profile cap

By means of the design of the tongue-and-groove caps, we achieved a sturdiness that **improves the resistance to both water and air**.



Levelling profile

The levelling profile (optional but recommended) allows to adjust the height of the area **up to 20 mm**.



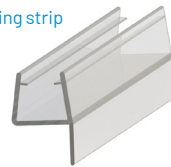
Sealing strips

The high quality of the materials along with a production process that uses the most advanced technologies results in a **very reliable product** with unbeatable characteristics.

Flexible PVC sealing strips

Excellent resistance to ultraviolet rays, weathering and saline environments UNE- EN ISO 527; UNE EN ISO 1183; UNE EN ISO 868.

F-Type sealing strip



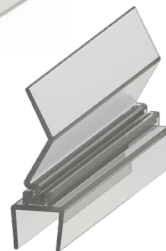
H-Type sealing strip
(available in 8 and
10mm)



Flexible sealing strip



Extra-large
flexible sealing
strip, only in 8 and
10 mm



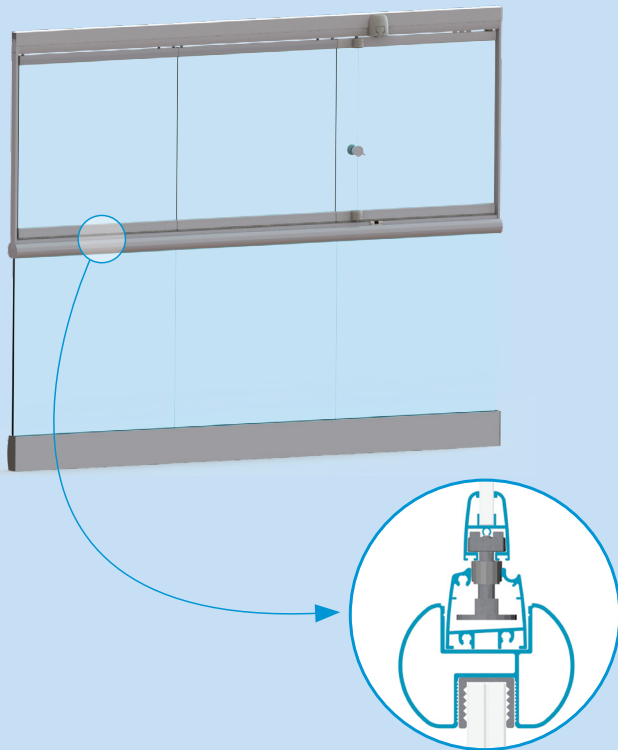
Two-in-one

Locking mechanisms

The Basic Pro Series and the Railing Series railing by Acristalia **can be combined and mounted together**, fitting each other like a glove.

The railing system is designed to achieve **full compatibility between the Basic Pro and Railing Series** using the last one's handrail as the bottom profile of this Slide & Turn system.

By combining this solution we will have a place that is completely safe, yet full of light and comfort.



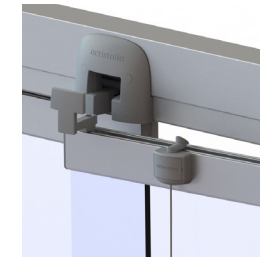
where you want to be

Locking mechanisms

The value is in the detail

The type of locking system will be determined by the required level of **security** and direction of the opening panels. Our technical and sales departments will advise you about the **most suitable option** for your project.

Cable lock



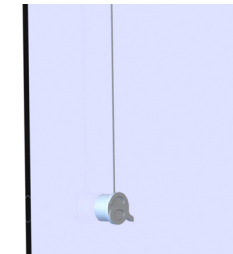
Stainless steel connection between the upper and lower latches when pulled.

Security lock with handle



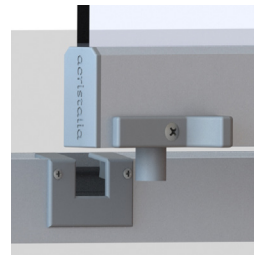
You will be able to **lock the opening panel**, leaving your enclosure fully protected like any other security door. It allows the **opening of the enclosure from both sides**.

Turn knob



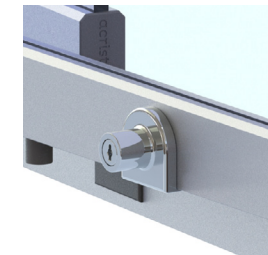
Allows to operate the **steel cable** operating the latches while at the same time **helps us to direct the panel** to its parking place. **It is possible to use the knob from the inside, the outside or both** at the same time.

Sliding lock



Provides **resistance to strong winds** and adverse weather conditions. It has been **tested with results that ensure its resistance to winds of more than 190 km/h**.

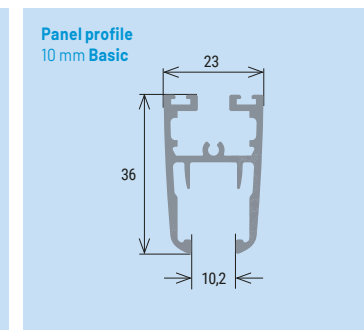
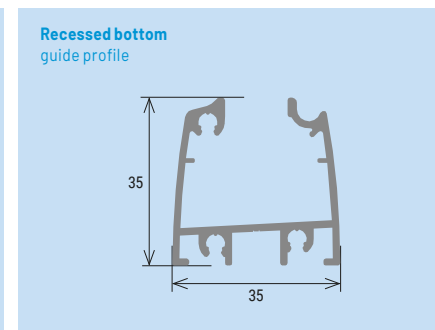
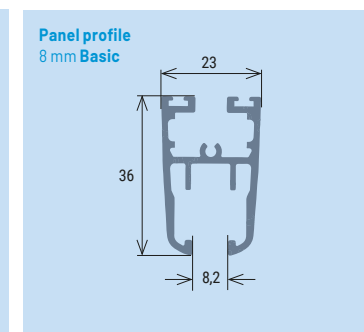
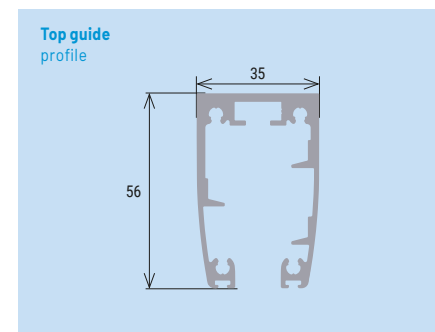
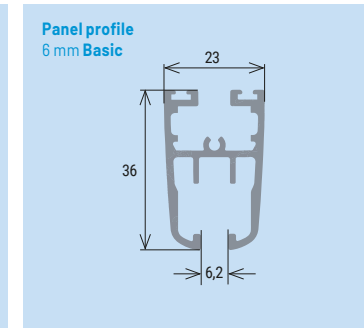
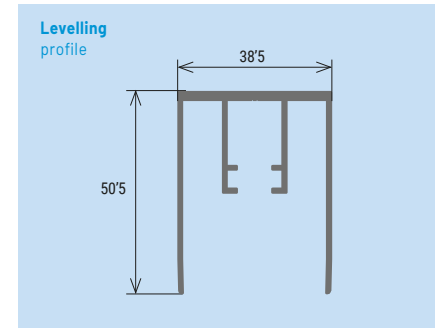
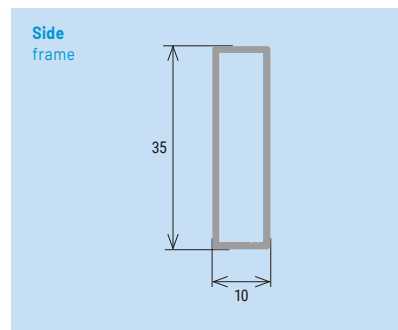
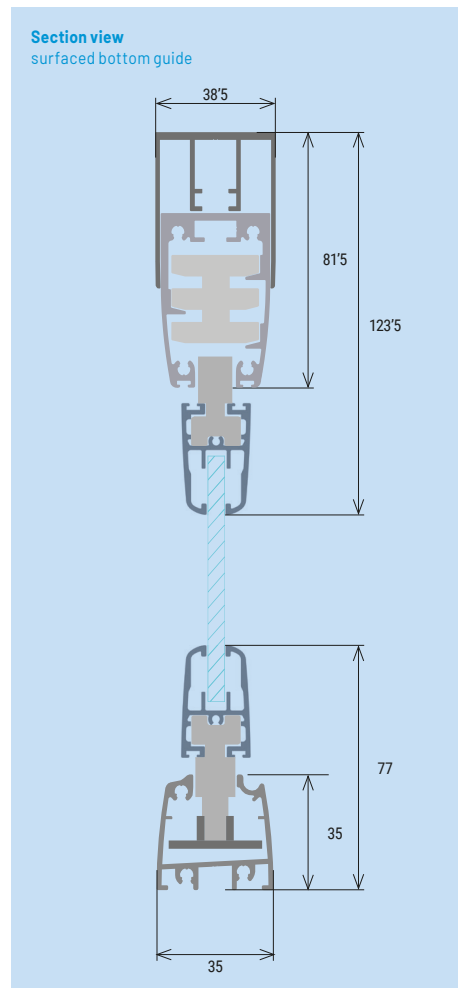
Child-resistant safety lock



It enables you to **lock the opening** of the system by using a key and a lock. Also valid for cases of **protection** against external threats or as security to **prevent children from operating the system**.

Dimensioned profiles

Overview of dimensions









Now
it's your
turn...

Share your
project
with us!

acristalia.com
t. 952 198 752

